

LEM

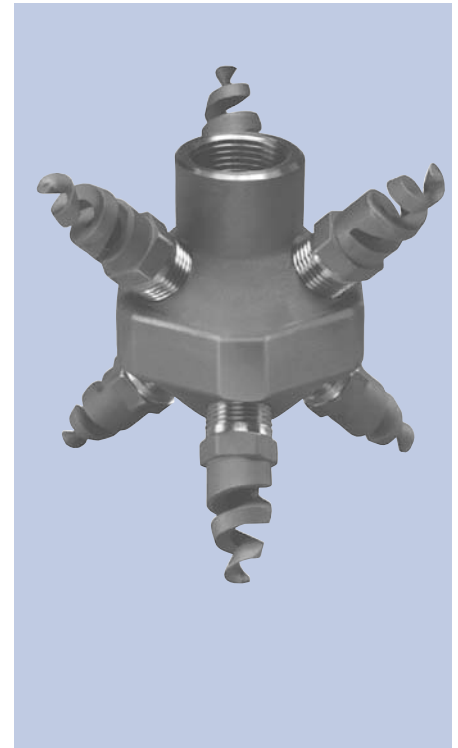
Tank Washing Nozzle

DESIGN FEATURES

- Each nozzle in the stationary cluster is a BETE clog-resistant spiral nozzle of the TF Series
- Can be supplied with various other BETE nozzles for any desired application
- Female connection

SPRAY CHARACTERISTICS

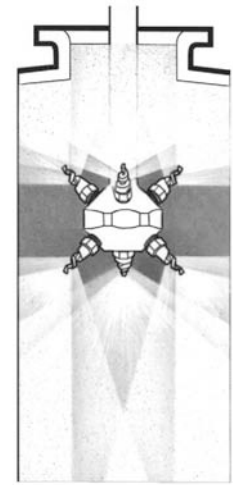
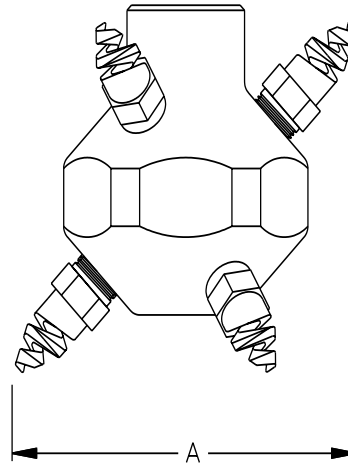
- Spherical omnidirectional coverage
 - Six nozzles arranged in cluster to project spray in all directions
- Flow rates:** 16.0 to 597 l/min
(special flow rates available, special tips upon request)



LEM Coverage Chart

When Spraying at 3 - 4 BAR

Female Pipe Size	Nozzle Number	Scrubbing Diameter (mm)	Rinsing Diameter (mm)
3/4	LEM6	450	900
	LEM8	900	1800
	LEM10	1400	2700
1	LEM12	2000	4000
	LEM14	2100	4200
	LEM16	2200	4400
	LEM20	2400	4900



Typical LEM installation

LEM Flow rates and dimensions

Spherical, 360° Spray Angle, 3/4" and 1" Pipe Sizes, BSP or NPT

Female Pipe Size	Nozzle Number	K Factor	LITERS PER MINUTE @ BAR								Minimum Entrance Open. (mm) A	Weight	
			0.7 bar	1 bar	1.5 bar	2 bar	3 bar	4 bar	5 bar	7 bar		(kg) Metal	(g) Plas.
3/4	LEM6	19.1	16.0	19.1	23.4	27.1	33.2	38.3	42.8	50.6	114	1.02	170
	LEM8	36.5	30.5	36.5	44.7	51.6	63.2	72.9	81.5	96.5			
	LEM10	57.0	47.7	57.0	69.8	80.6	98.7	114	127	151			
1	LEM12	82.0	68.6	82.0	100	116	142	164	183	217	133	1.87	312
	LEM14	111	92.7	111	136	157	192	222	248	293			
	LEM16	144	120	144	176	203	249	287	321	380			
	LEM20	226	189	226	276	319	391	451	504	597			

$$\text{Flow Rate (l/min)} = K \sqrt{\text{bar}}$$

Standard Materials: Brass, 316 Stainless Steel, PVC and PTFE. See page 21 for complete list.

CALL 413-772-2166
Call for the name of your nearest BETE representative.