

# EZ FF NF SPN

## EZ Change Quick Connection System

### DESIGN FEATURES

- Nozzles can be changed in seconds without tools
- Three part nozzle, base, gasket and interchangeable tip
- Exclusive ramped engagement for efficient automatic alignment
- Threaded adapters will accommodate other standard BETE nozzles. Shut-off plugs are also available.

### SPRAY CHARACTERISTICS

- Available in six standard tips: EZFF; EZNF; EZSPN; EZWL\*; EZTF\* and EZWT\*

**Flow rates:** 0.051 to 125 l/min

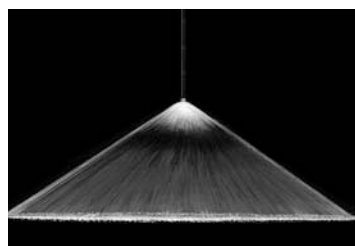
#### Spray Angle:

- EZFF:** 105° and 145°
- EZNF:** 0°, 15°, 30°, 50°, 65°, 80°, 90°, 110°, 120°
- EZSPN:** 15°, 25°, 35°, 40° and 50°

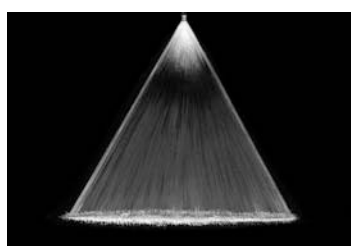
\*See pages 100 and 101



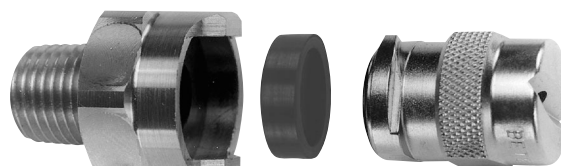
EZNF



145° Fan



50° Fan



Base

Gasket

Tip

EZNF exploded

### EZFF Flow Rates and Dimensions

Deflected Flat Fan 105° and 145° Spray Angles 1/8" to 1/2" BSP or NPT

Pipe Size	Nozzle Number	K Factor	LITERS PER MINUTE @ BAR							Approx. Orifice Dia. (mm)	Pipe Size	Approx. Assembly Dim. (mm)		Wt. (g)
			0.2 bar	0.5 bar	0.7 bar	1 bar	2 bar	3 bar	5 bar			Hex	Length	
1/8"	EZFF016*	0.114	0.051	0.081	0.095	0.114	0.161	0.197	0.255	0.406	1/8	22.4	41.4	62
	EZFF024*	0.228	0.102	0.161	0.191	0.228	0.322	0.395	0.510	0.610				
	EZFF028*	0.342	0.153	0.242	0.286	0.342	0.483	0.592	0.764	0.711				
	EZFF033*	0.456	0.204	0.322	0.381	0.456	0.645	0.789	1.02	0.838				
	EZFF041	0.684	0.306	0.483	0.572	0.684	0.967	1.18	1.53	1.04				
	EZFF046	0.912	0.408	0.645	0.763	0.912	1.29	1.58	2.04	1.17				
	EZFF052	1.14	0.510	0.806	0.953	1.14	1.61	1.97	2.55	1.32				
	EZFF057	1.37	0.611	0.967	1.14	1.37	1.93	2.37	3.06	1.45				
	EZFF065	1.82	0.815	1.29	1.53	1.82	2.58	3.16	4.08	1.65				
	EZFF073	2.28	1.02	1.61	1.91	2.28	3.22	3.95	5.10	1.85				
TO	EZFF093	3.42	1.53	2.42	2.86	3.42	4.83	5.92	7.64	2.36	1/4"	22.4	44.5	62
	EZFF104	4.56	2.04	3.22	3.81	4.56	6.45	7.89	10.2	2.64				
	EZFF116	5.47	2.45	3.87	4.58	5.47	7.73	9.47	12.2	2.95				
	EZFF125	5.70	2.55	4.03	4.77	5.70	8.06	9.87	12.7	3.18				
	EZFF129	6.84	3.06	4.83	5.72	6.84	9.67	11.8	15.3	3.28				
	EZFF141	8.20	3.67	5.80	6.86	8.20	11.6	14.2	18.3	3.58				
1/2"	EZFF148	9.12	4.08	6.45	7.63	9.12	12.9	15.8	20.4	3.76	3/8"	22.4	46.0	74
	EZFF156	10.0	4.48	7.09	8.39	10.0	14.2	17.4	22.4	3.96				
	EZFF161	10.9	4.89	7.73	9.15	10.9	15.5	18.9	24.5	4.09				
	EZFF173	12.3	5.50	8.70	10.3	12.3	17.4	21.3	27.5	4.39				
	EZFF187	13.7	6.11	9.67	11.4	13.7	19.3	23.7	30.6	4.75				
	EZFF196	16.0	7.13	11.3	13.3	16.0	22.6	27.6	35.7	4.98				
1/4"	EZFF218	18.2	8.15	12.9	15.3	18.2	25.8	31.6	40.8	5.31	1/2"	22.4	47.5	82
TO	EZFF221	20.5	9.17	14.5	17.2	20.5	29.0	35.5	45.9	5.61				
1/2"	EZFF250	23.9	10.7	16.9	20.0	23.9	33.8	41.4	53.5	6.35				
	EZFF256	27.3	12.2	19.3	22.9	27.3	38.7	47.4	61.1	6.55				

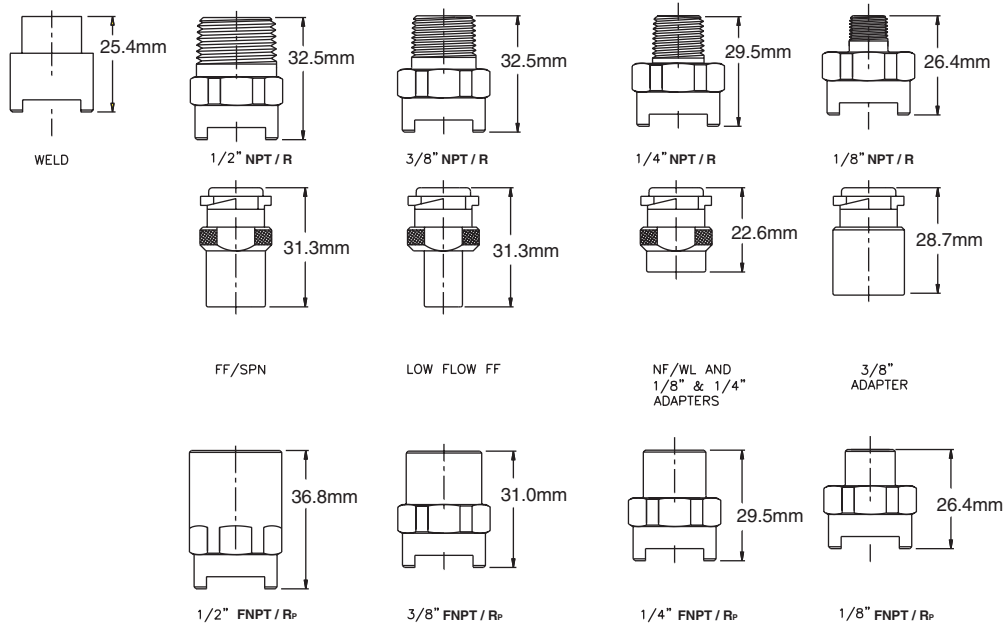
Flow Rate (l/min) =  $K \sqrt{\text{bar}}$

\*Available in 105° only all others 145° FF218 - FF256 not available with 1/8" base

Standard Materials: 303 Stainless Steel, 316 Stainless Steel, Brass, Viton and Buna-N gaskets standard.

SPECIAL PURPOSE

TO ORDER: specify pipe size, connection type, nozzle number, spray angle, and material.



### EZNF Flow Rates and Dimensions

Fan and Straight Jet 0°, 15°, 30°, 50°, 65°, 80°, 90°, 110° and 120° Spray Angles 1/8" to 1/2" BSP or NPT

Pipe Size	Nozzle Number	K Factor	LITERS PER MINUTE @ BAR													Equivalent Orifice Dia. (mm)	Approx. Assembly Dim. (mm)		Wt. (g)	
			0.2 bar	0.5 bar	0.7 bar	1 bar	2 bar	3 bar	5 bar	10 bar	15 bar	20 bar	30 bar	35 bar	Hex		Length			
1/8" TO	EZNF01	0.228		0.161	0.191	0.228	0.322	0.394	0.509	0.720	0.882	1.02	1.25	1.35	0.660	1/8"	22.4	41.4	62	
	EZNF015	0.342		0.242	0.286	0.342	0.483	0.592	0.764	1.08	1.32	1.53	1.87	2.02	0.787					
	EZNF02	0.455		0.322	0.381	0.455	0.644	0.789	1.02	1.44	1.76	2.04	2.49	2.69	0.914					
	1/2"	EZNF025	0.569		0.403	0.476	0.569	0.805	0.986	1.27	1.80	2.20	2.55	3.12	3.37	1.02	1/4"	22.4	44.5	62
		EZNF03	0.683		0.483	0.572	0.683	0.966	1.18	1.53	2.16	2.65	3.06	3.74	4.04	1.09				
		EZNF04	0.911		0.644	0.762	0.911	1.29	1.58	2.04	2.88	3.53	4.07	4.99	5.39	1.32				
		EZNF05	1.14		0.806	0.953	1.14	1.61	1.97	2.55	3.60	4.41	5.10	6.24	6.74	1.45				
		EZNF06	1.37	0.612	0.967	1.14	1.37	1.93	2.37	3.06	4.33	5.30	6.12	7.49	8.09	1.57				
		EZNF08	1.82	0.812	1.28	1.52	1.82	2.57	3.15	4.06	5.74	7.03	8.12	9.95	10.7	1.83				
		EZNF10	2.28	1.02	1.61	1.91	2.28	3.22	3.95	5.10	7.21	8.83	10.2	12.5	13.5	2.03				
EZNF15		3.42	1.53	2.42	2.86	3.42	4.83	5.92	7.64	10.8	13.2	15.3	18.7	20.2	2.38					
1/4" TO	EZNF20	4.56	2.04	3.22	3.81	4.56	6.45	7.89	10.2	14.4	17.7	20.4	25.0	27.0	2.78	3/8"	22.4	46.0	74	
	EZNF30	6.84	3.06	4.83	5.72	6.84	9.67	11.8	15.3	21.6	26.5	30.6	37.4	40.4	3.57					
	EZNF40	9.12	4.08	6.45	7.63	9.12	12.9	15.8	20.4	28.8	35.3	40.8	49.9	53.9	3.97					
	EZNF50	11.4	5.10	8.06	9.53	11.4	16.1	19.7	25.5	36.0	44.1	51.0	62.4	67.4	4.37					
	EZNF60	13.7	6.11	9.67	11.4	13.7	19.3	23.7	30.6	43.2	53.0	61.1	74.9	80.9	4.76					
	EZNF70	16.0	7.13	11.3	13.3	16.0	22.6	27.6	35.7	50.4	61.8	71.3	87.4	94.4	5.16					
1/4" TO	EZNF80	18.2	8.15	12.9	15.3	18.2	25.8	31.6	40.8	57.7	70.6	81.5	99.9	108	5.56	1/2"	22.4	47.5	82	
	EZNF90	20.5	9.17	14.5	17.2	20.5	29.0	35.5	45.9	64.9	79.4	91.7	112	121	5.95					

$$\text{Flow Rate (l/min)} = K \sqrt{\text{bar}}$$

Standard Materials: 303 Stainless Steel, 316 Stainless Steel, Brass, Viton and Buna-N gaskets standard.

### EZSPN Flow Rates and Dimensions

Fan 15°, 25°, 35°, 40° and 50° Spray Angles 1/8" to 1/2" BSP or NPT

Pipe Size	Nozzle Number	Available Spray Angle			K Factor	LITERS PER MINUTE @ BAR													Equiv. Orifice Dia (mm)	Deflection Angle @ Spray Angle					Approx. Assembly Dim. (mm)		Wt. (g)
		15°	25°	35°		0.3 bar	0.5 bar	0.7 bar	1 bar	2 bar	3 bar	5 bar	7 bar	10 bar	15 bar	20 bar	30 bar	15°		25°	35°	40°	50°	Hex	Length		
1/8" TO	EZSPN10	15°	35°	50°	2.28	1.25	1.61	1.91	2.28	3.22	3.95	4.56	5.10	7.21	8.83	10.2	12.5	1.98	5°	35°	55°	1/8"	22.4	41.4	82		
	EZSPN20	15°	35°	50°	4.56	2.50	3.22	3.81	4.56	6.45	7.89	9.12	10.2	14.4	17.7	20.4	25.0	2.77	5°	35°	45°						
	EZSPN25			50°	5.70	3.12	4.03	4.77	5.70	8.06	9.87	11.4	12.7	18.0	22.1	25.5	31.2	3.05		30°	50°						
1/2"	EZSPN30	15°	35°		6.84	3.74	4.83	5.72	6.84	9.67	11.8	13.7	15.3	21.6	26.5	30.6	37.4	3.18	5°	28°		1/4"	22.4	44.5	82		
	EZSPN40	15°	25°	35°	9.12	4.99	6.45	7.63	9.12	12.9	15.8	18.2	20.4	28.8	35.3	40.8	49.9	3.96	5°	20°	35°	35°	55°				
1/4" TO	EZSPN50			35°	11.4	6.24	8.06	9.53	11.4	16.1	19.7	22.8	25.5	36.0	44.1	51.0	62.4	4.34		23°	33°						
	EZSPN60	15°	35°	40°	13.7	7.49	9.67	11.4	13.7	19.3	23.7	27.3	30.6	43.2	53.0	61.1	74.9	4.75	5°	20°	33°	35°	3/8"	22.4	46.0	98	
	EZSPN70			40°	16.0	8.74	11.3	13.3	16.0	22.6	27.6	31.9	35.7	50.4	61.8	71.3	87.4	5.05		29°							
1/4" TO	EZSPN80	15°	35°	40°	18.2	9.99	12.9	15.3	18.2	25.8	31.6	36.5	40.8	57.7	70.6	81.5	99.9	5.31	5°	25°	26°	35°					
	EZSPN90			40°	20.5	11.2	14.5	17.2	20.5	29.0	35.5	41.0	45.9	64.9	79.4	91.7	112	5.54		28°			1/2"	22.4	47.5	109	
1/2"	EZSPN100	15°	35°	40°	22.8	12.5	16.1	19.1	22.8	32.2	39.5	45.6	51.0	72.1	88.3	102	125	5.94	5°	25°	28°	40°					

$$\text{Flow Rate (l/min)} = K \sqrt{\text{bar}}$$

Standard Materials: 303 Stainless Steel, 316 Stainless Steel, Brass, Viton and Buna-N gaskets standard.

SPECIAL PURPOSE

CALL 413-772-2166  
Call for the name of your nearest BETE representative.