

MW H

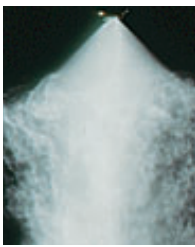
Low Flow Misting Head

DESIGN FEATURES

- Finest atomization of any direct pressure multi-nozzle
- Rugged construction
- Narrow drop spectrum
- Minimum operating pressure 70 bar (1000 psi)
- Other manifolds and flow rates available
- Patent pending

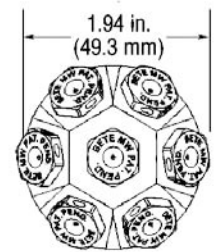
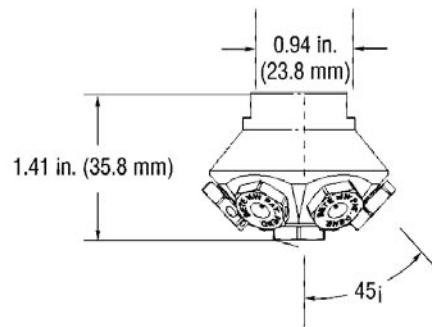
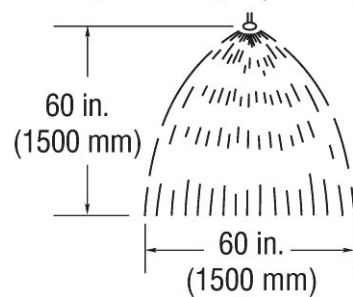
SPRAY CHARACTERISTICS

- Finest fog of any direct pressure nozzle
- Spray pattern:** Cone-shaped Fog
Flow rates: 5.0 to 8.7 l/min



Fog

Coverage at 1500 psi (100 bar)



MW Head Flow Rates and Dimensions

Fogging, 90° Spray Angle

Pipe Size	Nozzle Number	K Factor	GALLONS PER MINUTE @ PSI			Approx. Orifice Dia. (in.)	Wt. (oz.)	K Factor	LITERS PER MINUTE @ BAR			Approx. Orifice Dia. (mm)	Wt. (g)
			1000 PSI	2000 PSI	3000 PSI				70 bar	150 bar	300 bar		
1/2"	MW1207	0.035	1.1	1.6	1.9	0.022	6.5	0.5	4.2	6.1	8.7	0.56	184

Flow Rate (GPM) = $K \sqrt{PSI}$

Flow Rate (l/min) = $K \sqrt{bar}$

Standard Materials: 316 Stainless Steel, Viton® O-ring.

SPECIAL PURPOSE

Call for the name of your nearest BETE representative.

CALL 413-772-2166