

# BJ

## Low Flow

### DESIGN FEATURES

- Three-piece construction
- Interchangeable spray tips
- Integral strainer available (refer to page 115 for more information)
- Male and female connections

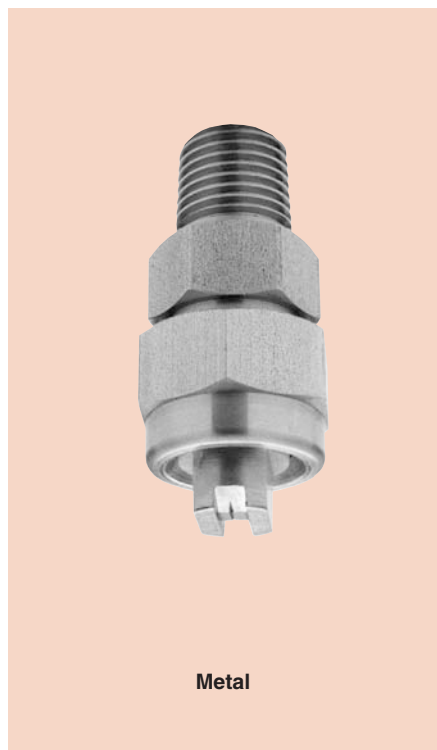
### SPRAY CHARACTERISTICS

- Relatively coarse atomization
- Uniform distribution with tapered edges for use in overlapping sprays

**Spray pattern:** Flat Fan

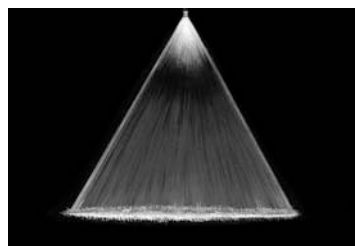
**Spray angles:** 0° to 110°

**Flow rate:** 0.011 to 101 l/min

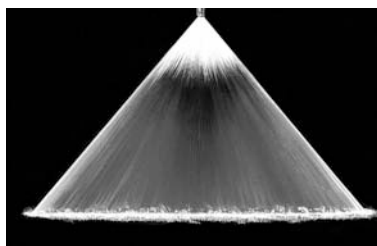


Metal

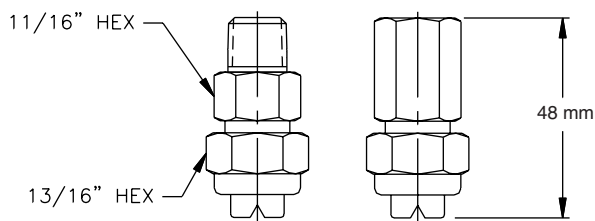
FAN



Fan 50°



Fan 80°

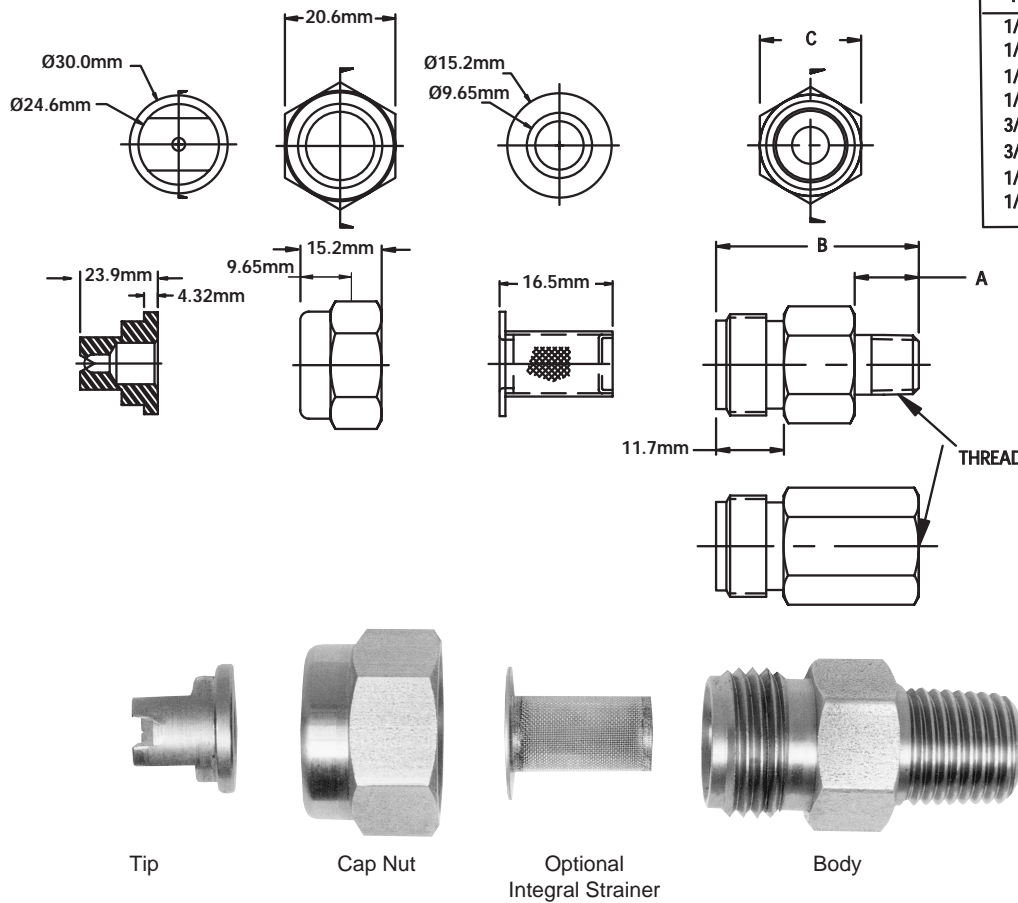


### BJ Dimensions

Fan, 0° to 110° Spray Angles, 1/8", 1/4" and 3/8" Pipe Size, Male and Female

Pipe Size	Nozzle Number	Flow Rate @ 3 bar	Available Spray Angle											Optional Strainer Mesh Size	Wt. (g)
			0°	15°	25°	40°	50°	65°	73°	80°	95°	110°			
1/8	BJ 0009	0.04	0°											200	28
	BJ 0012	0.05	0°												
	BJ 0017	0.07	0°	15°	25°	40°	50°	65°							
	BJ 0019	0.07	0°												
	BJ 0021	0.08	0°												
	BJ 0023	0.09						73°							
	BJ 0025	0.1		15°	25°	40°	50°	65°							
BJ 0033	0.13		15°	25°	40°	50°	65°								
BJ 0039	0.15							73°							
OR	BJ 005	0.2	0°	15°	25°	40°	50°	65°		80°			100	28	
	BJ 0067	0.26	0°	15°	25°	40°	50°	65°							
	BJ 0077	0.3							73°						
	BJ 01	0.39	0°	15°	25°	40°	50°	65°		80°	95°	110°			
	BJ 0116	0.46							73°						
1/4	BJ 015	0.59	0°	15°	25°	40°	50°	65°		80°	95°	110°	50	28	
	BJ 0154	0.61							73°						
	BJ 02	0.79	0°	15°	25°	40°	50°	65°		80°	95°	110°			
	BJ 0231	0.91							73°						
	BJ 03	1.81	0°	15°	25°	40°	50°	65°		80°	95°	110°			
OR	BJ 0308	1.22							73°						
	BJ 0385	1.52							73°						
	BJ 04	1.58	0°	15°	25°	40°	50°	65°		80°	95°	110°			
	BJ 0462	1.82							73°						
	BJ 05	1.97	0°	15°	25°	40°	50°	65°		80°	95°	110°			
3/8	BJ 06	2.37	0°	15°	25°	40°	50°	65°		80°	95°	110°	50	28	
	BJ 0616	2.43							73°						
	BJ 077	3.04							73°						
	BJ 08	3.16	0°	15°	25°	40°	50°	65°		80°	95°	110°			
	BJ 0924	3.65							73°						
	BJ 10	3.95	0°	15°	25°	40°	50°	65°		80°	95°	110°			
	BJ 15	5.92	0°	15°	25°	40°	50°	65°		80°	95°	110°			
3/8	BJ 20	7.89	0°	15°	25°	40°	50°	65°		80°	95°	110°	50	28	
	BJ 30	11.8	0°	15°	25°	40°	50°	65°		80°	95°	110°			
	BJ 40	15.8	0°	15°	25°	40°	50°	65°		80°	95°	110°			
	BJ 50	19.7		15°	25°	40°	50°	65°		80°	95°	110°			
	BJ 60	23.7		15°	25°	40°	50°	65°		80°	95°	110°			
	BJ 70	27.6		15°	25°	40°	50°	65°		80°	95°	110°			

TO ORDER: specify pipe size, connection type, nozzle number, spray angle, and material.



FAN

### BJ Flow Rates

Fan, 0°, 15°, 25°, 40°, 50°, 65°, 73°, 80°, 95°, 110° Spray Angles, 1/8", 1/4" and 3/8" Pipe Size, Male and Female

Pipe Size	Nozzle Number	Equiv. Orifice Dia. (mm)	K Factor	LITERS PER MINUTE @ BAR									
				0.3 bar	0.5 bar	0.7 bar	2 bar	4 bar	5 bar	10 bar	20 bar	30 bar	40 bar
1/8	BJ 0009	0.20	0.021	0.011	0.015	0.017	0.029	0.041	0.046	0.065	0.092	0.11	0.13
	BJ 0012	0.25	0.027	0.015	0.019	0.023	0.039	0.055	0.061	0.086	0.12	0.15	0.17
	BJ 0017	0.28	0.039	0.021	0.027	0.032	0.055	0.077	0.087	0.12	0.17	0.21	0.25
	BJ 0019	0.30	0.043	0.024	0.031	0.036	0.061	0.087	0.097	0.14	0.19	0.24	0.27
	BJ 0021	0.33	0.048	0.026	0.034	0.04	0.068	0.096	0.11	0.15	0.21	0.26	0.30
	BJ 0023	0.33	0.052	0.029	0.037	0.044	0.074	0.10	0.12	0.17	0.23	0.29	0.33
	BJ 0025	0.33	0.057	0.031	0.04	0.048	0.081	0.11	0.13	0.18	0.25	0.31	0.36
OR	BJ 0033	0.38	0.075	0.041	0.053	0.063	0.11	0.15	0.17	0.24	0.34	0.41	0.48
	BJ 0039	0.41	0.089	0.049	0.063	0.074	0.13	0.18	0.20	0.28	0.40	0.49	0.56
	BJ 005	0.50	0.114	0.062	0.081	0.095	0.16	0.23	0.25	0.36	0.51	0.62	0.72
	BJ 0067	0.58	0.153	0.084	0.11	0.13	0.22	0.31	0.34	0.48	0.68	0.84	0.97
	BJ 0077	0.58	0.175	0.096	0.12	0.15	0.25	0.35	0.39	0.55	0.78	0.96	1.11
	BJ 01	0.71	0.228	0.12	0.16	0.19	0.32	0.46	0.51	0.72	1.02	1.25	1.44
	BJ 0116	0.71	0.264	0.14	0.19	0.22	0.37	0.53	0.59	0.84	1.18	1.45	1.67
1/4	BJ 015	0.84	0.342	0.19	0.24	0.29	0.48	0.68	0.76	1.08	1.53	1.87	2.16
	BJ 0154	0.84	0.351	0.19	0.25	0.29	0.50	0.70	0.78	1.11	1.57	1.92	2.22
	BJ 02	0.99	0.456	0.25	0.32	0.38	0.64	0.91	1.02	1.44	2.04	2.50	2.88
	BJ 0231	1.02	0.526	0.29	0.37	0.44	0.74	1.05	1.18	1.66	2.35	2.88	3.33
	BJ 03	1.19	0.684	0.37	0.48	0.57	0.97	1.37	1.53	2.16	3.06	3.74	4.32
	BJ 0308	1.19	0.702	0.38	0.50	0.59	0.99	1.40	1.57	2.22	3.14	3.84	4.44
	BJ 0385	1.30	0.877	0.48	0.62	0.73	1.24	1.75	1.96	2.77	3.92	4.81	5.55
3/8	BJ 04	1.40	0.912	0.50	0.64	0.76	1.29	1.82	2.04	2.88	4.08	4.99	5.77
	BJ 0462	1.42	1.053	0.58	0.74	0.88	1.49	2.11	2.35	3.33	4.71	5.77	6.66
	BJ 05	1.55	1.139	0.62	0.81	0.95	1.61	2.28	2.55	3.60	5.10	6.24	7.21
	BJ 06	1.70	1.367	0.75	0.97	1.14	1.93	2.73	3.06	4.32	6.11	7.49	8.65
	BJ 0616	1.70	1.404	0.77	0.99	1.17	1.99	2.81	3.14	4.44	6.28	7.69	8.88
	BJ 077	1.83	1.755	0.96	1.24	1.47	2.48	3.51	3.92	5.55	7.85	9.61	11.1
	BJ 08	1.88	1.823	1.00	1.29	1.53	2.58	3.65	4.08	5.77	8.15	9.99	11.5
	BJ 0924	1.98	2.106	1.15	1.49	1.76	2.98	4.21	4.71	6.66	9.42	11.5	13.3
	BJ 10	2.18	2.279	1.25	1.61	1.91	3.22	4.56	5.10	7.21	10.2	12.5	14.4
	BJ 15	2.72	3.418	1.87	2.42	2.86	4.83	6.84	7.64	10.8	15.3	18.7	21.6
3/8	BJ 20	3.18	4.558	2.50	3.22	3.81	6.45	9.12	10.2	14.4	20.4	25.0	28.8
	BJ 30	3.67	6.837	3.74	4.83	5.72	9.67	13.7	15.3	21.6	30.6	37.4	43.2
	BJ 40	3.97	9.116	4.99	6.45	7.63	12.9	18.2	20.4	28.8	40.8	49.9	57.7
	BJ 50	4.37	11.394	6.24	8.06	9.53	16.1	22.8	25.5	36.0	51.0	62.4	72.1
	BJ 60	4.76	13.673	7.49	9.67	11.4	19.3	27.3	30.6	43.2	61.1	74.9	86.5
	BJ 70	5.16	15.952	8.74	11.3	13.3	22.6	31.9	35.7	50.4	71.3	87.4	101

Flow Rate (l/min) = K √bar

Standard Materials: Brass, 303 Stainless Steel and 316 Stainless Steel (for nozzle number BJ01 and higher).

CALL 413-772-2166  
Call for the name of your nearest BETE representative.